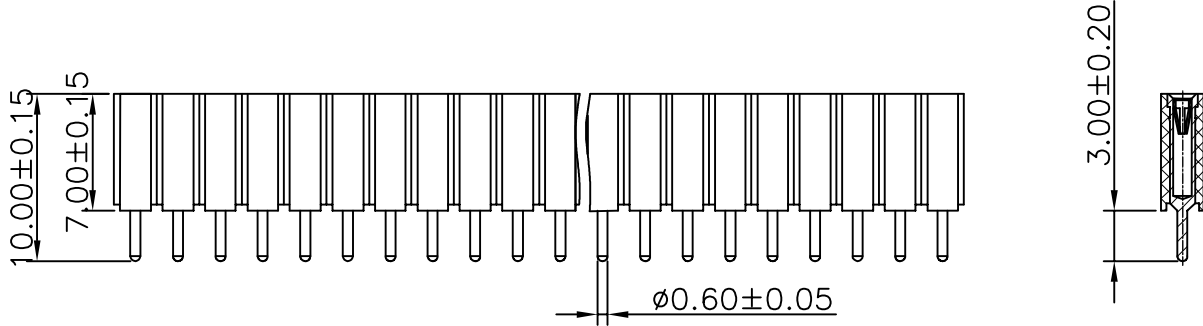


Specifications  
 Current Rating:3A  
 Contact Resistance:20mΩMax.  
 Dielectric Withstanding Voltage:500V RMS  
 Mating pins: Outside Diameter 0.40 to 0.56 mm  
 Forces: (polished steel gauge 0.46 mm)  
 Insertion:2.5 N typ.  
 Withdrawal:0.7N typ.  
 Operating Temperature:-60°C to +85°C  
 Materials  
 Contact Material:Brass  
 Contact clip(4 finger):Berylliumcopper (C17200)  
 Insulator Material: UL 94V-0 PPS  
 All materials must meet GREENCONN hazardous substances control standards.

No. of PIN/ROW	M	L
01	0	2.34
02	2.54	4.88
03	5.08	7.42
04	7.62	9.96
05	10.16	12.50
06	12.70	15.04
07	15.24	17.58
08	17.78	20.12
09	20.32	22.66
10	22.86	25.20
11	25.40	27.74
12	27.94	30.28
13	30.48	32.82
14	33.02	35.36
15	35.56	37.90
16	38.10	40.44
17	40.64	42.98
18	43.18	45.52
19	45.72	48.06
20	48.26	50.60
21	50.80	53.14
22	53.34	55.68
23	55.88	58.22
24	58.42	60.76
25	60.96	63.30
26	63.50	65.84
27	66.04	68.38
28	68.58	70.92
29	71.12	73.46
30	73.66	76.00
31	76.20	78.54
32	78.74	81.08
33	81.28	83.62
34	83.82	86.16
35	86.36	88.70
36	88.90	91.24
37	91.44	93.78
38	93.98	96.32
39	96.52	98.86
40	99.06	101.6



### Ordering Information

CKHA122 - XX XX A 004 S X B X

No. Of Pins Per Row 01~40  
 Standard Plating 01=Tin, 02=Gold Flash, 05=Gold Flash/Tin, 64=Gold 3u"/Tin  
 Color 1=Black  
 Standard Packing N=PE Bag, C=Tube

**Greenconn**  
 Website:www.greenconn.com  
 E-mail:sales@greenconn.com

3RD.ANG PROJ.  
  
 PAGE. 1/1

GENERAL TOLERANCE	
X.*±5.0'	X.±0.38
.X.*±3.0'	.X±0.30
.XX.*±2.0'	.XX±0.25
.XXX.*±1.0'	.XXX±0.20

DESIGNED: \_\_\_\_\_ DATE: \_\_\_\_\_  
 CHECKED: \_\_\_\_\_ DATE: \_\_\_\_\_  
 APPROVED: \_\_\_\_\_ DATE: \_\_\_\_\_

DWG. NO. CKHA122-CA004SB  
 PART NO. CKHA122-XXXXA004SXBX

TITLE. 2.54mm SIP Socket H=7.00mm DIP type